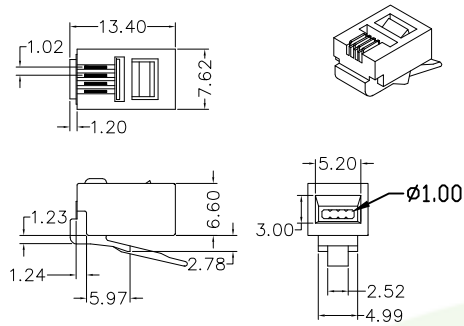


4P4C



Cable Type



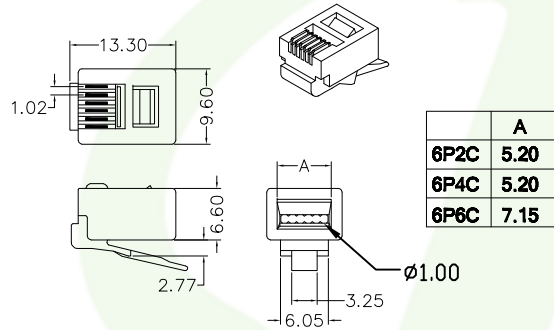
MATERIAL&FINISH

Body: PC.ULV-2
Contact: Copper alloy,

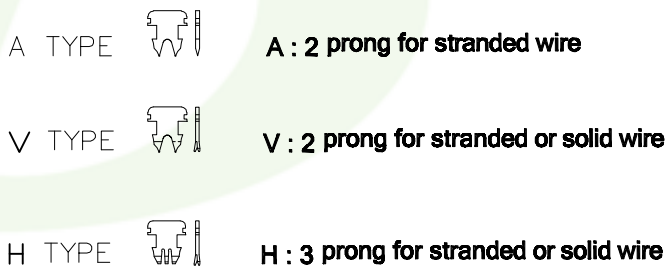
SPECIFICATION

Voltage Rating: 125 volts AC, at 1.5amps
Dielectric Withstanding Voltage: 1000volts AC
Insulation Resistance: 500megohms.
Termination Resistance: 30milliohm min.
Durability: 750cycles
Temp.Rating: -40°C to +85°C

6P6C



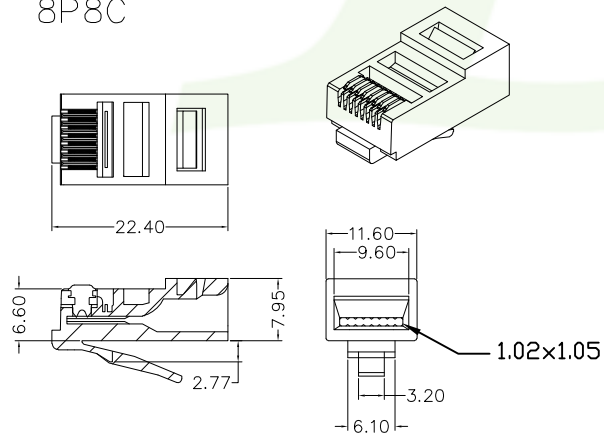
Contact Type



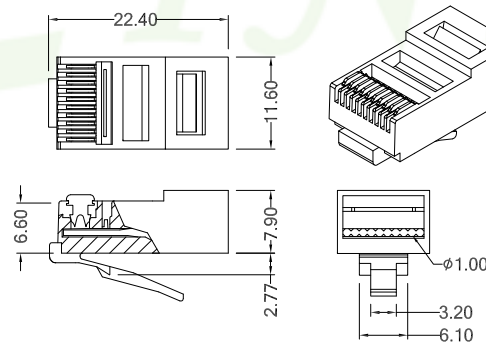
996-B 1-01 $\frac{xx}{3} \frac{x}{4} \frac{1}{5}$

1. B: Plug
2. 1: Bag
3. No. of positions (4, 6, 8, 10)
4. x: Gold Plating: Gold Flash or 6u"
5. Pinrex internal code.

8P8C



10P10C



				TOLERANCE		UNITS : mm		OLD PART NO.		TITLE	
				.0 = ±.30		SCALE NONE		DRAWER 刘伟青		Modular Plug	
				.00 = ±.20		SIZE A4		CHECK 李剑		NEW PART NO. 996-B1-01xxx1	
				.000 = ±.XXX		SHEET 1 OF 1		APP'D 李剑		DRAW NO. 996-B1-01xxx1(網頁專用圖)	
A RELEASE		2020/10/12		.0000 = ±.		REV. A					
REV. DESCRIPTION		DATE		ANG. = ±3'							

